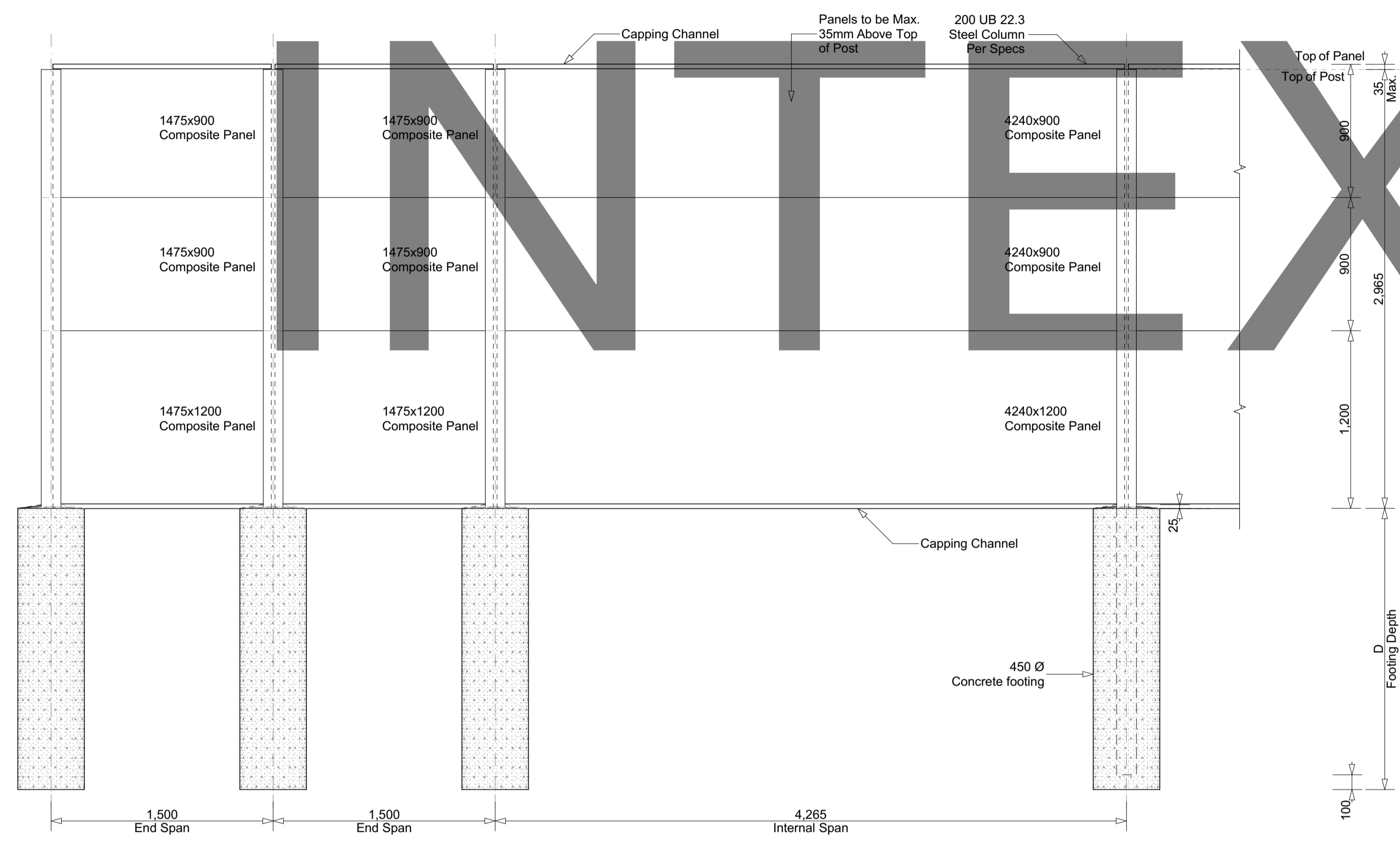
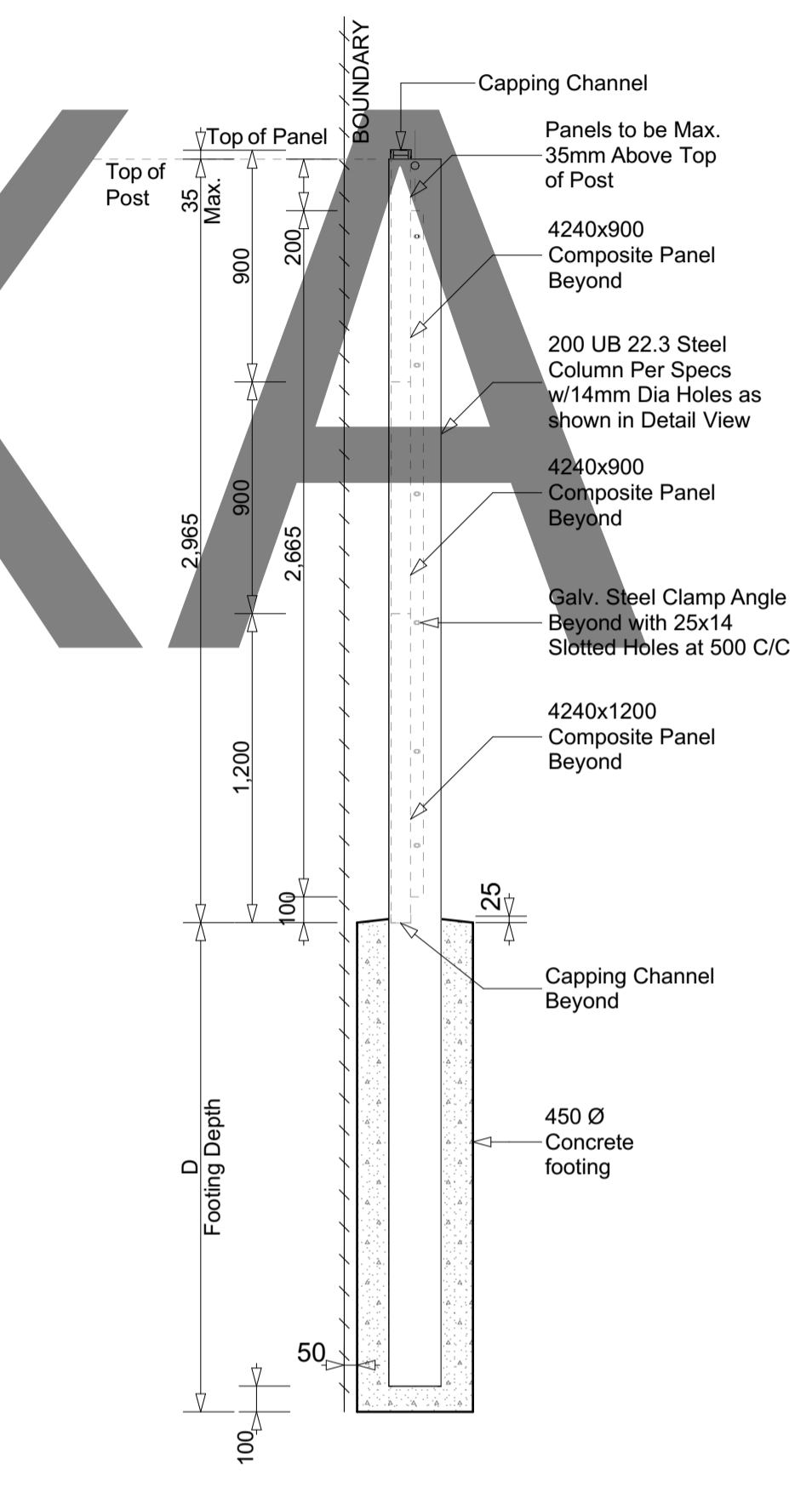


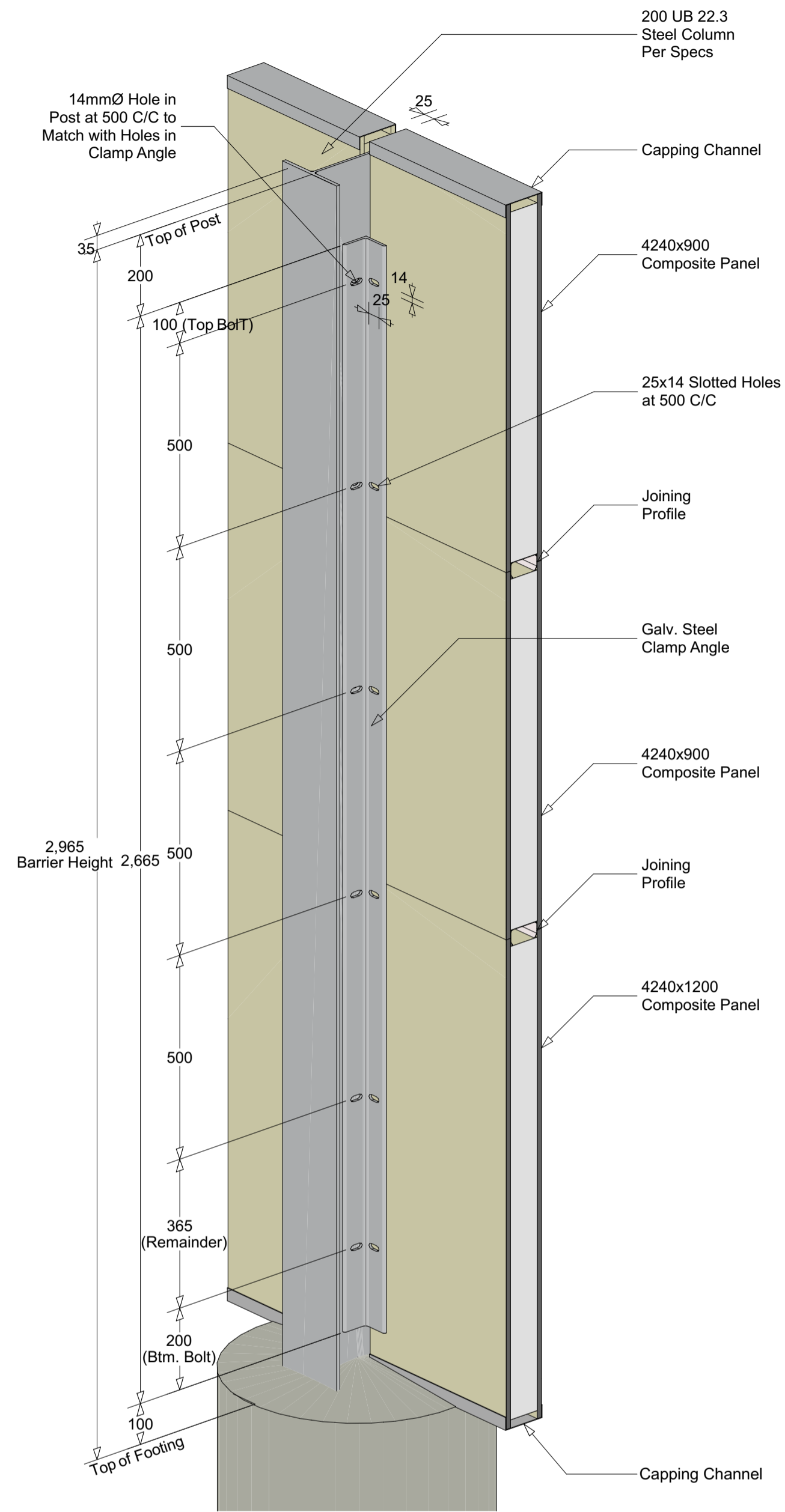
Plan



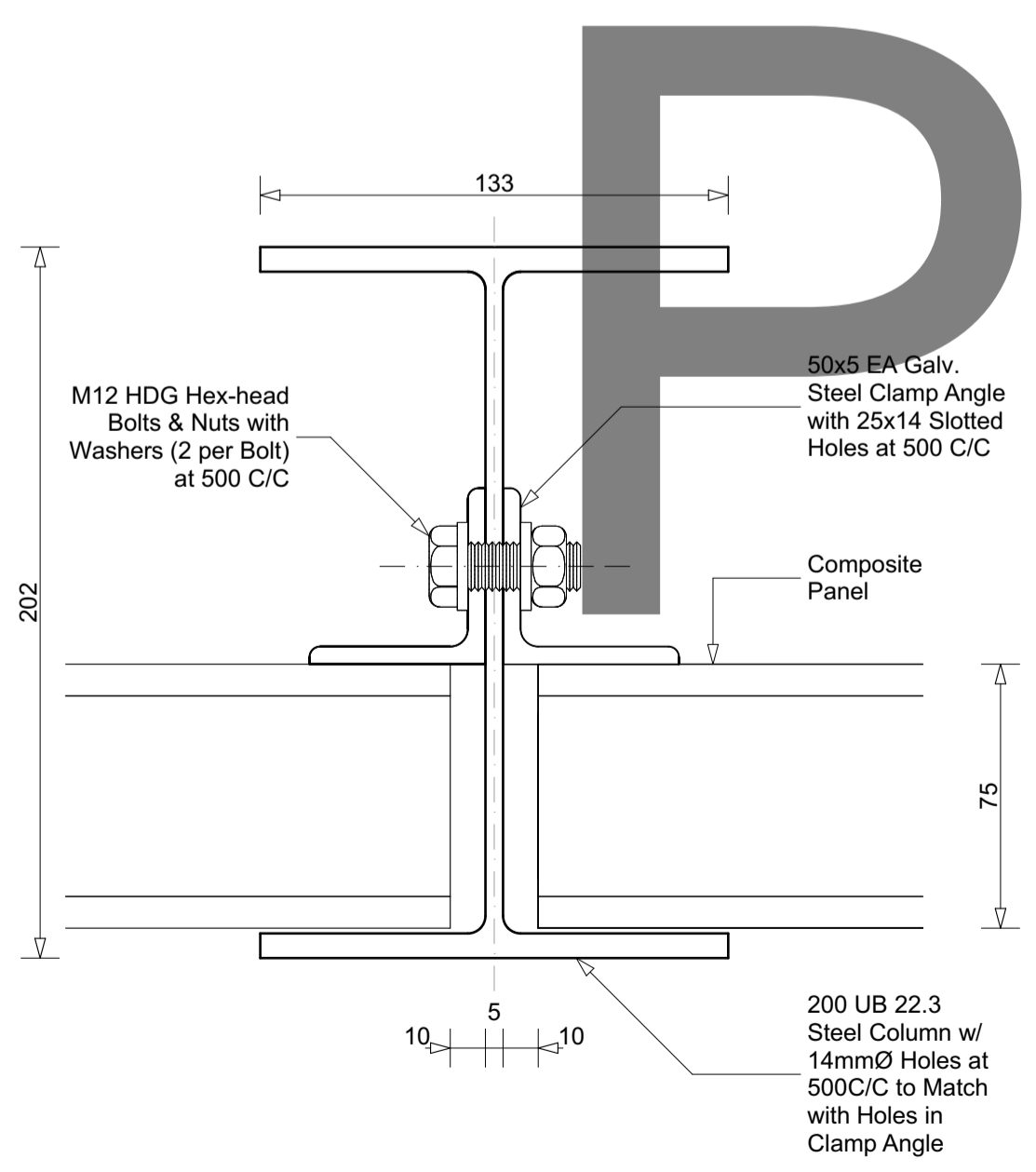
Elevation
Barrier Assembly Detail



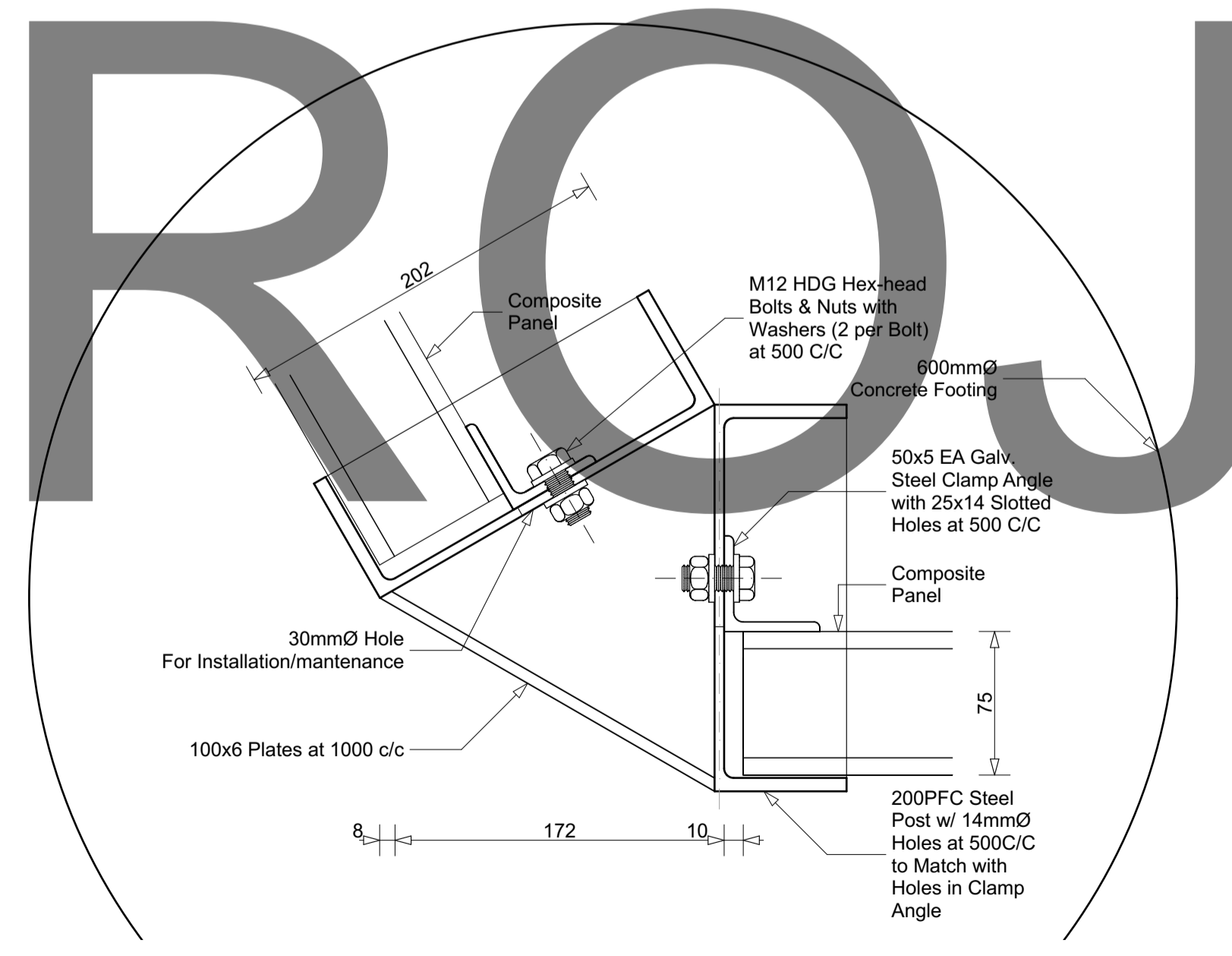
Section 1



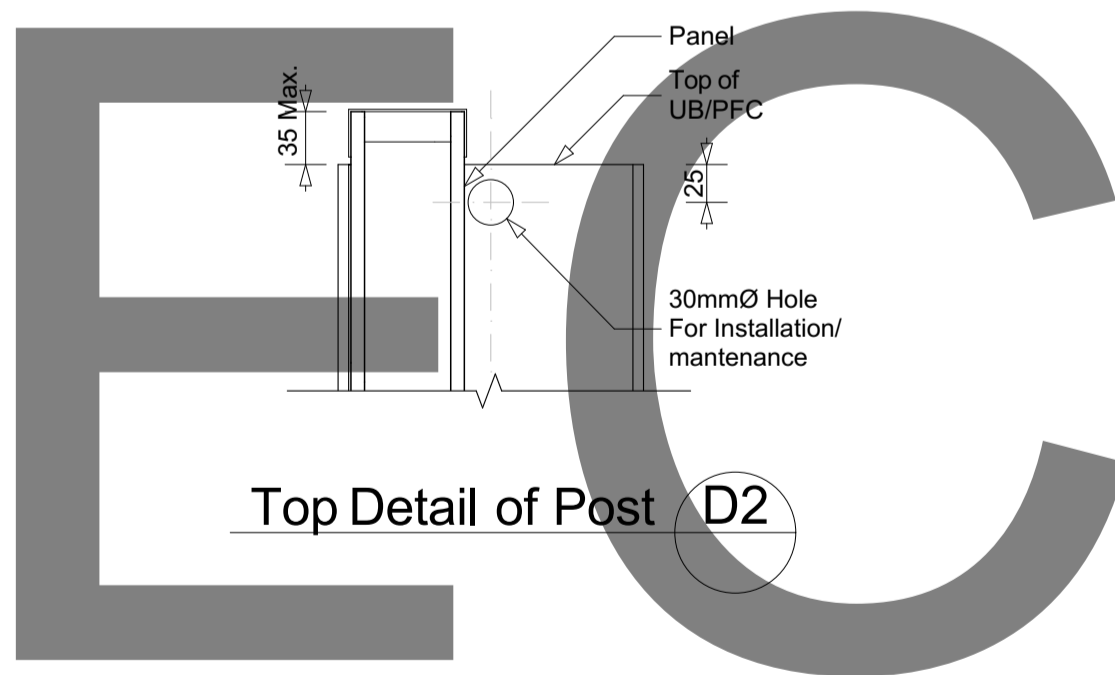
Post/Angle/Panel
Connection View D1



Post/Angle/Panel
Connection Detail D1



Corner Post
Connection Detail



Top Detail of Post D2

Structural Detail

Fence Height (mm)	Panel spans (mm)	Retaining height (mm)	Post Size (mm)	Footing Depth (mm)	Footing Dia. (mm)
3000	4240 internal 2x 1500 ends	0	200UB22.3	XXXX	450
4500	4240 internal 2x 2250 ends	0	250UB31.4	XXXX	450

Materials

Posts	* 200UB22.3 HDG
Panels	* 4240x1200x75mm fibre cement sandwich panels * 4240x900x75mm fibre cement sandwich panels * 1455x1200x75mm fibre cement sandwich panels * 1455x900x75mm fibre cement sandwich panels
Fasteners	* 50x5mm EA HDG * M12 HDG hex head bolt + nut with washer
Concrete	* 25 MPA

NOTES:

- Acoustic Density – 15.3 kg/m². Other panel options available for density up to 30.5 kg/m².
- All dimensions shown are in millimetres (mm) unless specified otherwise.
- All details should be checked and certified by a RPEQ prior to use of the drawing for design and/or construction. Intexa Projects does not take any responsibility otherwise.
- All free ends of the barrier should have two shorter spans, each span equivalent to half the height of the barrier (e.g. if the barrier is 3000mm high, the two end spans will be 1500mm each).
- Maximum step in barrier height per panel to be 200mm.
- Steel components:
 - Posts to be UB's, or PFC's at corners.
 - The barrier label and post number to be welded or punched on each post and to be clearly visible after galvanising.
 - Clamp angle to be 50x5 EA with slotted holes.
 - Hot dip galvanising to be done to AS4680.
 - Steel plates for corners to be to grade 250 to AS3678.
- Panels:
 - More detail on the panels, capping channel and joining profiles to be provided when project specifications are known.
 - Panels to be painted with two coats of manufacturer approved paint.
 - Panels come with a 15-year warranty, when installed in to manufacturers specifications.

SUPPLIER

INTEXA PROJECTS

Transforming Outdoor Spaces

Phone: 1300 593 104
 Email: sales@intexa.com.au
 Website: www.intexa.com.au
 ABN: 78 736 473 716
 QBCC Licence: 1309293

CLIENT

PROJECT

DRAWING
STRUCTURAL DETAIL

PRODUCT

DISCLAIMER: Intexa Projects accepts no responsibility for the accuracy or for any consequence resulting from the use or alteration of this drawing and other data in electronic form. Drawings in electronic form should be checked for accuracy against the equivalent hard copy issued by Intexa Projects.

NOTE: Prior to commencing construction verify all dimensions against Architect's, other Consultant's and Sub-Contractor's drawings. Dimensions are not to be scaled or read electronically from this drawing. Setout dimensions, unless specifically shown, are to be obtained from the Architect's or other Consultant's drawings.

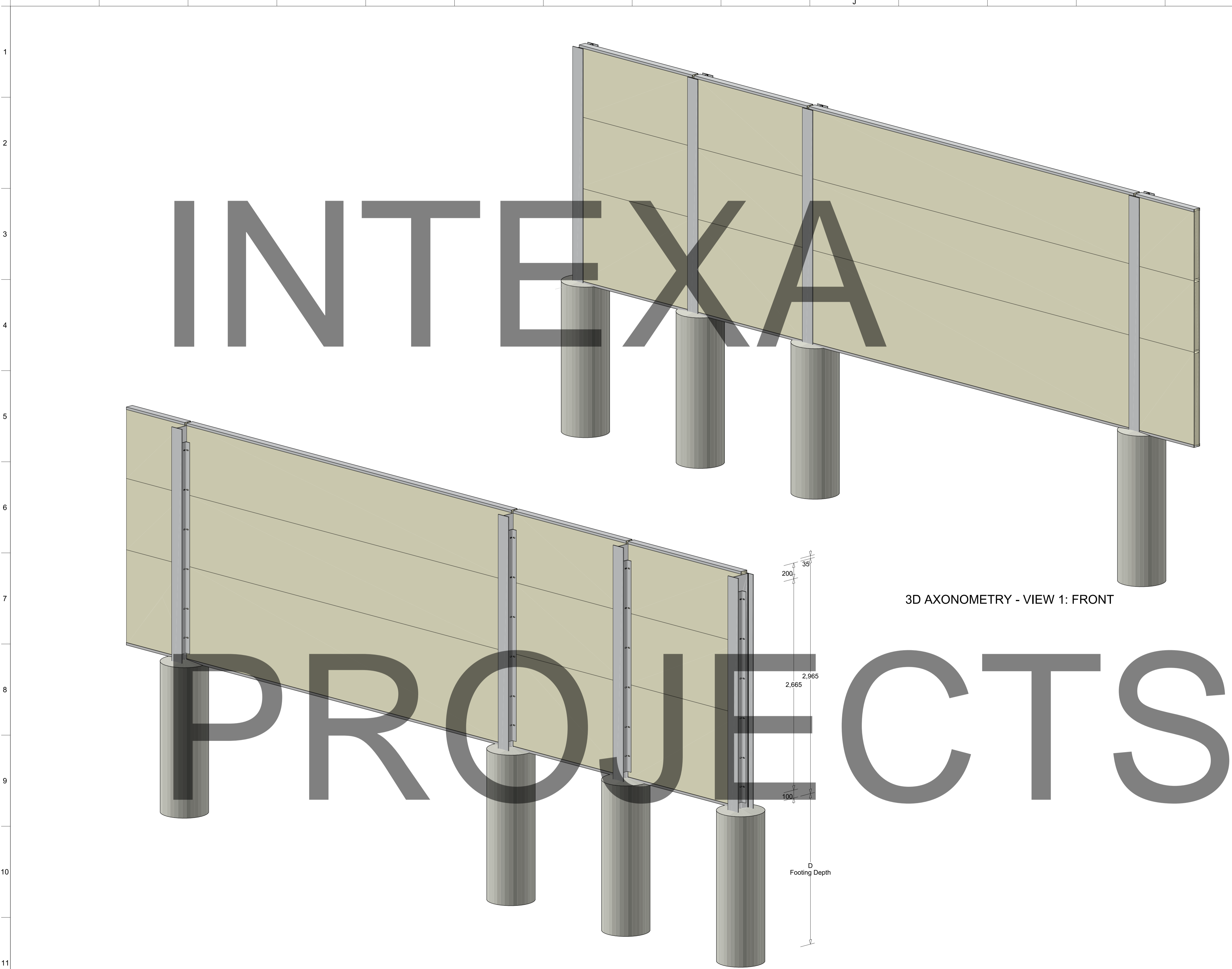
COPYRIGHT - ALL RIGHTS RESERVED - Copying or reproducing the whole or part of this document in any form constitutes an infringement of copyright without the written permission of Intexa Projects.

Drawn	Designed	Checked

STRUCTURAL DESIGN CERTIFICATE

DESIGN NOTES

Date:	Scale at A1:	Drawing Status	Date:
		Design	07-01-2019
Job No:	AB-COM-01	Sheet No.:	1 of 2
Issue			A



3D AXONOMETRY - VIEW 1: FRONT

3D AXONOMETRY - VIEW 2: BACK

AMENDMENTS			
No.	Description	Date	By
A	Design		

SUPPLIER

INTEXA
PROJECTS

Transforming Outdoor Spaces

Phone: 1300 593 104
 Email: sales@intexa.com.au
 Website: www.intexa.com.au
 ABN: 78 736 473 716
 QBCC Licence: 1309293

CLIENT

DRAWING
3D VIEWS

PRODUCT

DISCLAIMER: Intexa Projects accepts no responsibility for the accuracy or for any consequence resulting from the use or alteration of this drawing and other data in electronic form. Drawings in electronic form should be checked for accuracy against the equivalent hard copy issued by Intexa Projects.

NOTE: Prior to commencing Construction verify all dimensions against Architect's, other Consultant's and Sub-Contractor's drawings. Dimensions are not to be scaled or read electronically from this drawing. Setout dimensions, unless specifically shown, are to be obtained from the Architect's or other Consultant's drawings.

COPYRIGHT - ALL RIGHTS RESERVED - Copying or reproducing the whole or part of this document in any form constitutes an infringement of copyright without the written permission of Intexa Projects.

Drawn	Designed	Checked
-------	----------	---------

STRUCTURAL DESIGN CERTIFICATE
DESIGN NOTES

Date:	Drawing Status		
Scale at A1:	Not To Scale Design		
Job No:	Date:		
AB-COM-01	07-01-2019		
Drawing No:	Sheet No.:	Issue	
AB-COM-01.02	2 of 2	A	